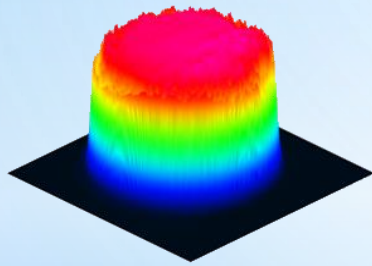
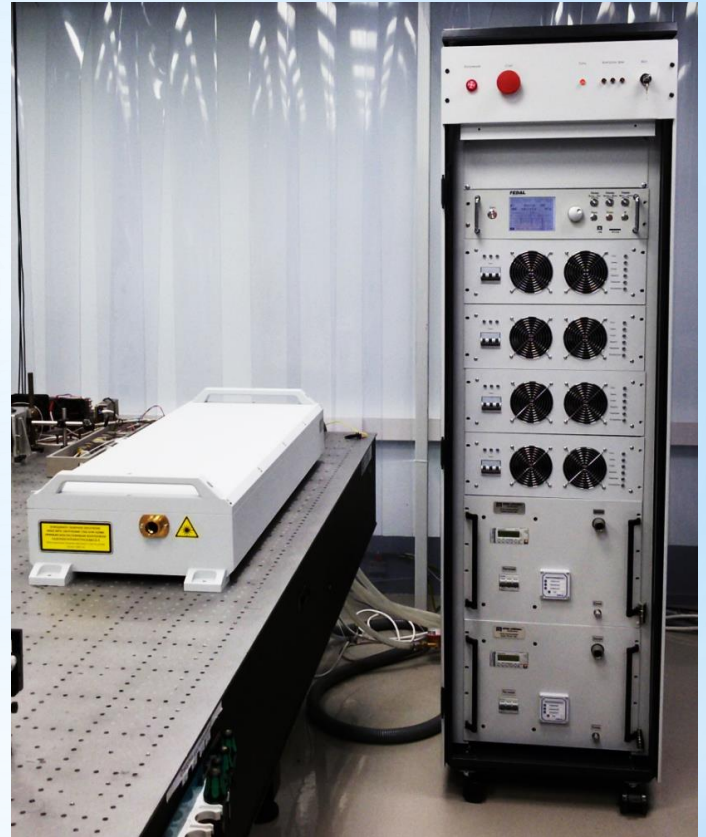
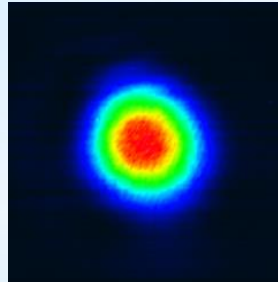


1 kW LD pumped High Beam Quality Q-switched Nd:YAG laser

Wavelength	1064 nm
Output energy	3 J
Repetition rate	330 Hz
Pulse duration	10 ns
Beam diameter	15 mm
Beam divergence	0.1 mrad (1.3 x DL)
Laser Head Size	1050×400×205 mm
Laser Head Weight	80 kg



Near field (flat top)



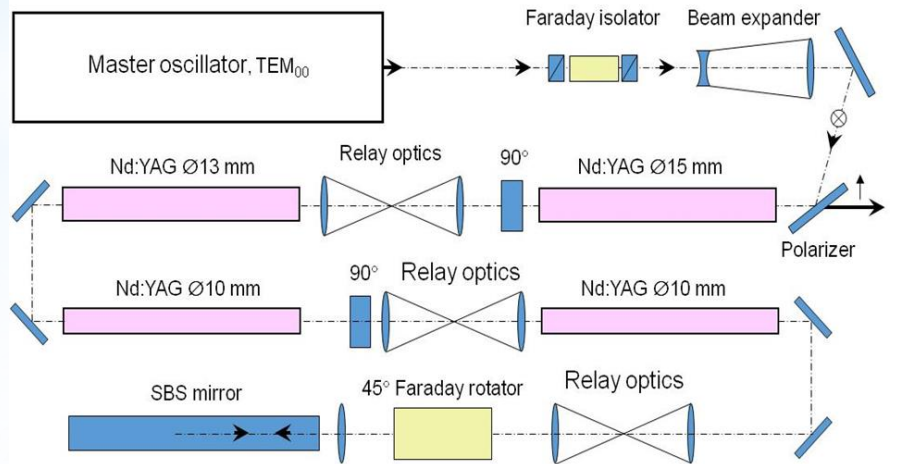
Far field(1.3 x DL)

Features:

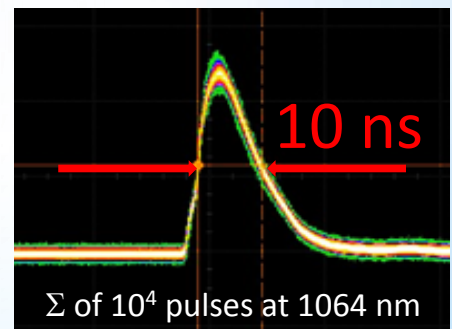
- MOPA configuration
- LD pumped
- Microchip seed laser
- SBS PC mirror
- Flat-top near field
- Compact, table top, robust

Applications:

- Ultra-remote laser ranging
- Material processing
- Thompson scattering diagnostics of plasma
- OPO pumping, Ti:Sapphire pumping
- Module for multichannel systems



Principle optical scheme – two-pass four-stage amplifier



High pulse shape stability

1.3×DL at 1 kW Q-switched!